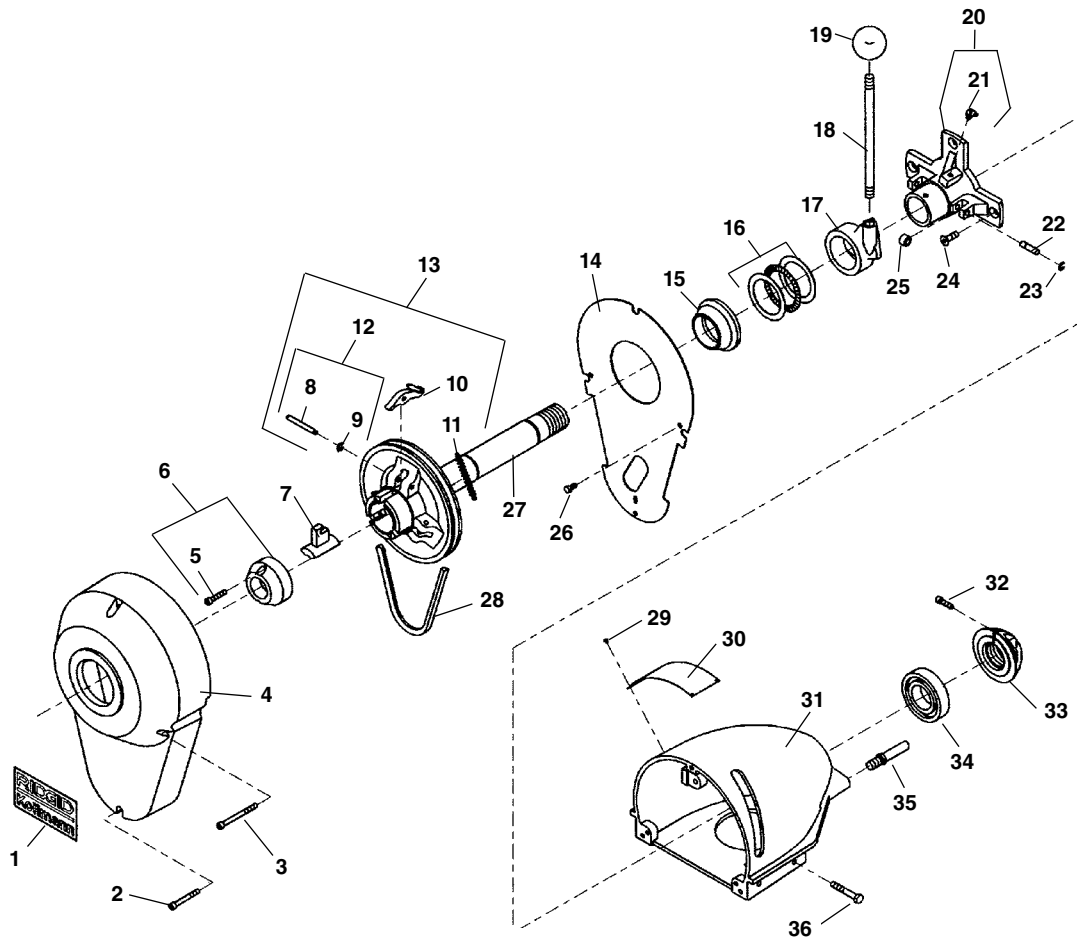


Main Components

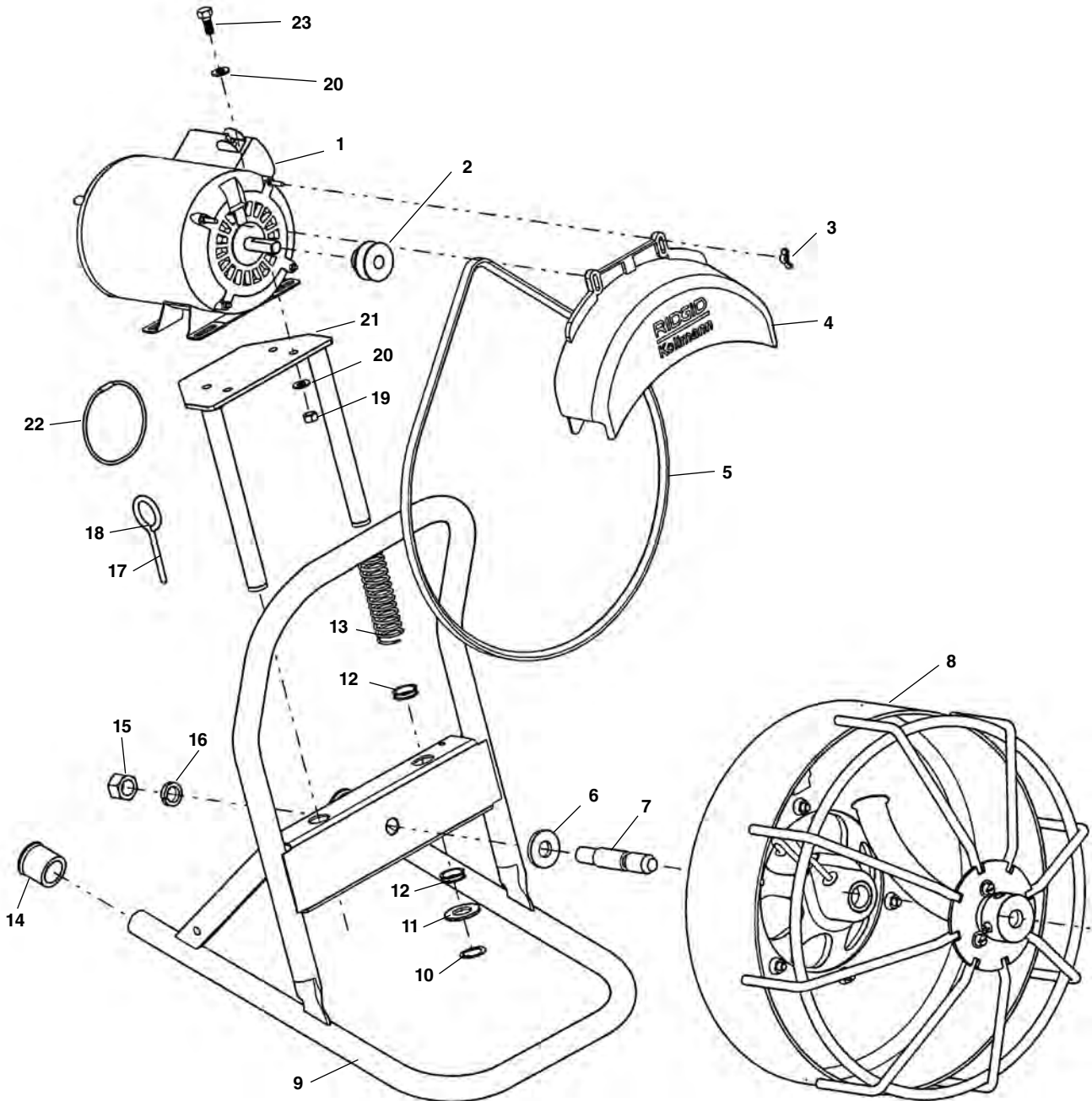
**K-75A
K-75B
K-1500A
K-1500B
K-1500ASP
K-1500BSP**



**NOTE: Order parts by Catalog Number Only.
DO NOT order by Reference Number.**

Ref. No.	Catalog No.	Description	Ref. No.	Catalog No.	Description
1	23657	Label (K-75)	18	59575	Clutch Handle
	24097	Label (K-1500)	19	59585	Clutch Knob
2	44510	Screw	20	23552	Main Bearing
3	23652	Screw (3)	21	89815	Grease Fittings
4	23547	Front Guard	22	23592	Pin (2)
5	84425	Screw (2)	23	34175	Retaining Ring (2)
6	59500	Nose Piece (Incl. Ref. #5)	24	68875	Screw (3)
7	59330	Jaw Assembly (K-75) 5/8" Cable	25	61015	Roller (2)
	59325	Jaw Assembly (K-75/K-1500) 7/8" Cable	26	60265	Screw (2)
	59320	Jaw Assembly (K-1500) 1 1/4" Cable	27	23562	Pulley & Shaft Assembly
8	90105	Pin (3)	28	23577	V-Belt
9	78780	Retaining Ring	29	76730	Screw (6)
10	59530	Rocker Arm Set	30	23632	Warning Label
11	60155	Spring (3)		45282	Warning Label (SP Models Only)
12	60150	Rocker Arm Pin	31	23542	Body
13	60145	Rocker Arm Kit	32	60910	Screw
14	23567	Inside Guard	33	60935	Lock & Adj. Nut (Incl. #2)
15	23572	Clutch Cone	34	60930	Ball Bearing
16	23677	Thrust Bearing Assembly	35	59580	Guide Hose Pin (2)
17	23557	Clutch Casting	36	43757	Screw (4)

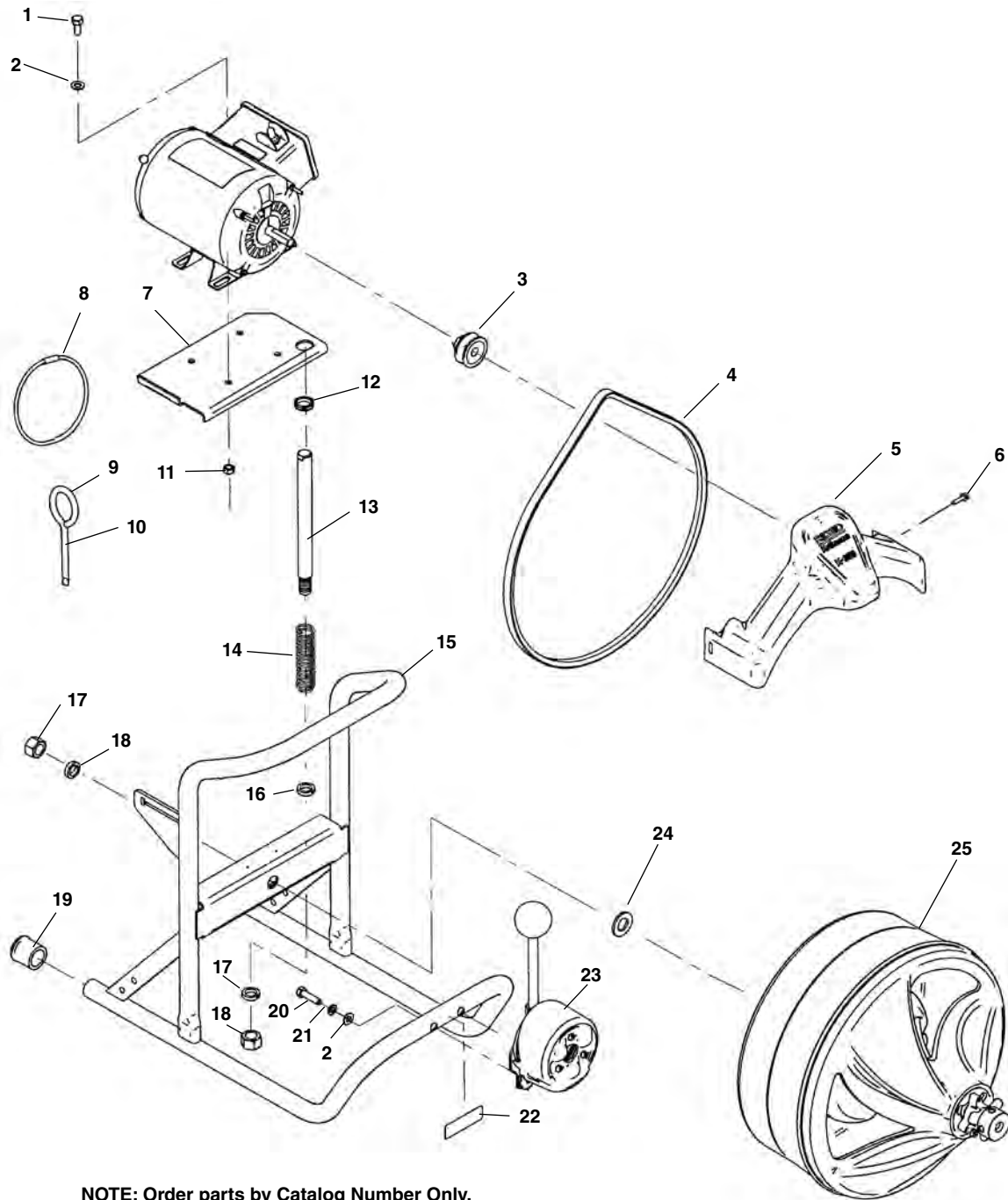
Main Components



**NOTE: Order parts by Catalog Number Only.
DO NOT order by Reference Number.**

Ref. No.	Catalog No.	Description	Ref. No.	Catalog No.	Description
1	37977	Motor Assy 120V 60Hz	13	84512	Spring (2)
2	33082	Motor Pulley	14	37962	Rubber End Cap (2)
3	39557	Wing Nut (2)	15	13617	Hex Nut 5/8" - 11
4	39767	Belt Guard	16	46682	Lock Washer 5/8"
5	37872	Drive Belt	17	59230	3/8" Cable Pin Key
6	47077	Drum Axle Washer	18	59225	1/2" Cable Pin Key
7	37937	Drum Axle	19	96730	Hex Nut 5/16" - 18 (4)
8	84517	Drum Assembly	20	96740	Flat Washer 5/16" (4)
9	37942	Frame	21	33087	Motor Mount
10	37947	Spiral Ring (2)	22	54562	Tool Holder
11	37897	Nylon Washer (2)	23	61130	Hex Bolt
12	37952	Nylon Grommet (4)			

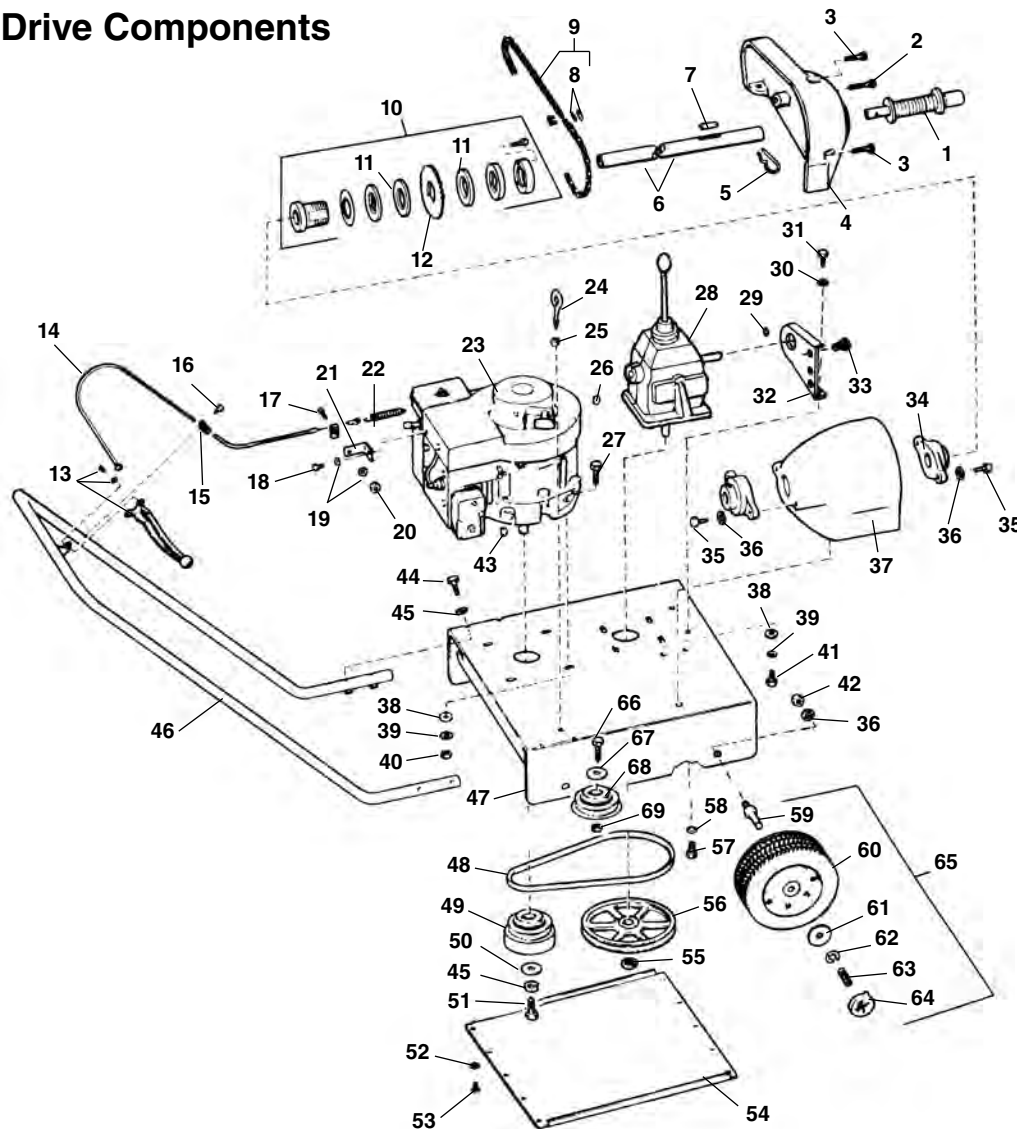
Main Components



**NOTE: Order parts by Catalog Number Only.
DO NOT order by Reference Number.**

Ref. No.	Catalog No.	Description	Ref. No.	Catalog No.	Description
1	61130	Hex Screw 5/16" - 18 x 3/4" (4)	14	87002	Compression Spring
2	60065	Flat Washer 5/16" (6)	15	87007	K-380 Frame
3	86987	Pulley w/Set Screw	16	21963	Spacer (Europe & U.K. Only)
4	86977	Belt	17	13617	5/8" - 11 Nut
5	86982	Belt Guard	18	46682	5/8" Lockwasher
6	37907	#10 Screw (5)	19	37962	Rubber Tip (2)
7	86992	Motor Base Plate	20	60515	Hex Screw .31" - 18 x 1.25" (2)
8	54562	Tool Holder	21	60080	11/32" Lockwasher (2)
9	59230	3/8" Pin Key	22	87012	K-380 Label
10	59225	1/2" Pin Key	23	87337	K-380 Power Feed Assembly
11	27517	Lock Nut (4)	24	41790	Flat Washer
12	37952	Split Grommet	25	87077	K-380 Drum Assembly
13	86997	Spring Support Shaft			

Cart and Drive Components



NOTE: Order parts by Catalog Number only. DO NOT order by Reference Number.

Ref. No.	Catalog No.	Description	Ref. No.	Catalog No.	Description	Ref. No.	Catalog No.	Description
1	62170	B-3542 Rod Holder	26	63190	A-3565 Key	48	66972	"V" Belt
2	59915	A-2192 Screw	27	60515	A-2531 Hex Head Bolt (4)	49	61380	A-3563 Centrifugal Clutch
3	59920	A-2193 Screw (2)	28	57697	Transmission	50	61275	A-3339 Washer
4	62490	D-3544 Guard		61467	Transmission Kit (Incl. Ref. #32, 41, 48)	51	61435	A-3577 Hex Head Bolt
5	61400	A-3567 Drive Pin	29	60860	A-297 Retaining Ring	52	61310	A-3439 Washer (10)
6	62180	B-3548 Drive Shaft	30	61440	A-3591 Lock Washer	53	60000	A-2258 Screw (10)
7	61425	A-3572 Key	31	60265	A-2441 Screw	54	62175	B-3547 Cover
8	60625	A-2643 Master Link	32	62425	Chain Guard	55	42580	A-505 Retaining Ring
9	61405	A-3568 Chain (Incl. Ref. #8)	33	61110	A-3247 Self-Tapping Screw (2)	56	61385	A-3564 Pulley
10	61415	A-3570 Torque Limiter	34	61375	A-3562 Main Bearing w/Set Screw (2)	57	59785	A-210 Bolt (4)
11	61420	A-3571 Fiber Disc (2)	35	60020	A-2269 Bolt (4)	58	61450	A-3593 Lock Washer (4)
12	61410	A-3569 Sprocket	36	60090	A-2292 Lock Washer (8)	59	43837	A-3546 Axle (4)
13	61365	A-3560 Throttle Handle	37	62485	D-3543 Body	60	62420	C-3556 Wheel (4)
14	61370	A-3561 Throttle Cable	38	60060	A-2284 Washer (8)	61	60995	A-3039 Washer (4)
15	61430	A-3574 Clamp	39	61445	A-3592 Lock Washer (8)	62	60050	A-2281 Retaining Ring (4)
16	61500	A-427 Self-Tapping Screw	40	60230	A-2395 Nut (4)	63	61000	A-3041 Spring (4)
17	79965	E-1667 Screw	41	61462	A-3251 Hex Head Bolt (4)	64	59700	A-1881 Hub Cap (4)
18	—	*Bolt	42	61455	A-3612 Nut (4)	65	62430	C-3611 Wheel Assembly (Incl. Ref. #59-64)
19	61310	A-3439 Washer (2)	43	61395	A-3566 Key	—	84690	A-4558 Torque Testing Tool (not shown)
20	60200	A-2382 Nut	44	76870	A-3672 Screw (4)	66	23617	3/8" - 13 x 2" Carriage Bolt
21	61350	A-3554 Bracket	45	60085	A-2290 Lock Washer (5)	67	59970	3/8" Flat Washer
22	59545	A-132 Spring	46	62415	C-3552 Handle Assembly	68	66962	Idler Pulley
23	66977	Engine/6HP	47	62495	D-3545 Base	69	43947	3/8" Lock Nut
24	59225	A-899 Coupling Pin Key						
25	61460	A-3613 Grommet						

†Transmission kit includes necessary hardware to convert to new style transmission. *Standard hardware item may be purchased locally.